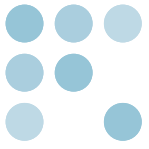




**GYNECOLOGICAL EXAMINING TABLE
OBSTETRIC DELIVERY TABLE**



Examining Table

JW-G2000



Convenience and Effectiveness

A new concept of a dynamic chair ensures patient's convenience and doctor's work-effectiveness.

The chair also provides the examination process more comfortable.

A Modern and Ergonomic Design

Ergonomics and ease of use are characteristic features of the modern examination chair. An ultrasound machine can be used without an extra bed and it guarantees a modern and friendly environment for your patients.

The Top-Class Examination Chair

Memory function in 3 positions and Trendelenburg function provide effectiveness of gynecological investigation and the most optimum examination position for a doctor and a patient.

FEARTURES:

- ◆ Back section has a curved structure which suitable for modern women shape.
- ◆ Having tray for roll paper inside the back of the table.
- ◆ 2 holders was integrated in knee crutches which are covered by high quality leather
- ◆ Hip Section: 550 x 340 mm (W x D).
- ◆ Drain Tray 310 x 200 x 50mm (W x D x H) was made by Aluminum alloy.
- ◆ 7 levels can be adjusted by leg rest.
- ◆ For rust proofing, cotton container and forcep jar is made of stainless steel SUS 304. Cotton Containter and Forcep jar dimension: ø90 x 90 mm ; ø54 x 90 mm
- ◆ Column housing was made by stainless steel and covered by electro-static coating.
- ◆ Base Section: 1100 x 550 mm (W x D). Base is covered by ABS sythetic resin (shock resistant).
- ◆ Base has 4 casters and 2 brakes to lock the position of the equipment.
- ◆ Handswitch has 12 buttons for positioning the table.
- ◆ Footswitch has 4 buttons for positioning the table. Dimension: 360 x 200 mm (W x D).
- ◆ There are 3 sensors which receive the signal from wireless food switch.



<Ultrasound Position>

Standard Accessory

1. Hand switch
2. Bucket for tweezers and gauze
3. Foot switch
4. Sheet paper
5. Waste box
6. Curtain rod

Optional Accessory





Gynecological Examining Table
CHS - E1000



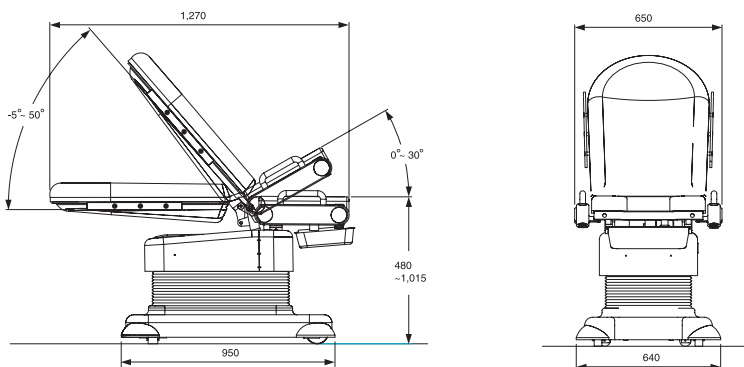
This gynecological table is of the highest quality and features with advanced electro-hydraulic pump which offers numerous superior functions and great convenience.

Gynecological Examining Table

Features

- ◆ Easy-to-use wireless remote control foot switch can provides the examination room with hygienic environmental conditions.
- ◆ Attachable or fixed leg rest which can be selected as an option helps provide convenience and efficiency in ultrasonic diagnosis.
- ◆ New ergonomic design fits the body shapes of modern women.
- ◆ Comfortable and cozy examining circumstance provided by the built-in auto-position control system.
- ◆ Various accessories necessary for examination.
- ◆ Hip section with seat warming system which prevents initial surface chilliness during examination.
- ◆ Table top and 2 arm rest are covered by high quality leather which is not affected by cleaning chemical.
- ◆ Screen Frame was made by stainless steel, can adjust the height or angle.
- ◆ Knee Krutches has adjustable height to suits the need of examination.
- ◆ Side rails 30 x 8 mm (W x D) made by stainless steel SUS304 on both side of table top for attachment of accessories.
- ◆ For rust proofing, cotton container and forcep jar is made of stainless steel SUS 304. Cotton Containter and Forcep jar dimension: ø90 x 90 mm ; ø54 x 90 mm
- ◆ Drain tray is made of Aluminium for easy cleaning, can pull in and out, compact size 370 x 270 x 60 mm (W x D x H).
- ◆ Base has 4 casters and 2 brakes to lock the position of the equipment.
- ◆ Wireless Foot Switch 320 x 170 x 120 mm (W x L x H) help to control table to reach any angle or height.

Dimensions



Standard Accessory

Knee crutches



Arm rest



Water resisance roll paper



Cotton container & Forcep jar



Drain tray



Roll Sheet Paper	1EA
Knee Crutches	1 SET
Drain Tray	1EA
Foot Switch / Cable	1EA
Power Cord	1EA
Cotton Container & Forcep Jar	1 SET
Screen Frame / Handle	1 SET
Fuse(4A,5A)	1EA
Manual(Korean , English)	1 COPY

Optional Accessory

Leg rest A



Hand Surgery Arm Rest



Leg rest B



Leg rest A	1 SET	Hand Surgery Arm Rest	1 SET	Shoulder Supporters	1 SET
Dimension: 495 x 515mm		Dimension: 440 x 220mm		Leg Rest	1 SET
				Hand Surgery Arm Rest	1 SET

Examination Position



Wireless Foot Switch system



- **AUTO Switch** Automatically controls table height and slope of the back section by just one-time switching and by dip switch settings.
- **BASE Switch** Just controls the table height raging from minimum 480mm to maximum 1,015mm.
- **SEAT Switch** Just controls the slope of hip section from minimum 0° to maximum 30°.
- **BACK Switch** Just controls the slope of back section from minimum -5° to maximum 50°.



Gynecological Examining Table

CHS-EX820



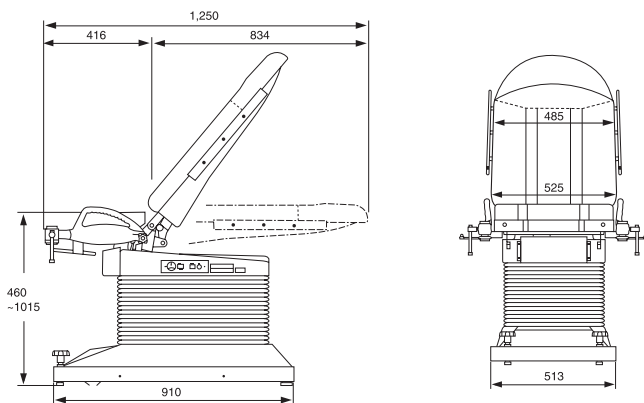
This gynecological table is of the highest quality and features with advanced electro-hydraulic pump which offers numerous superior functions and great convenience.

Gynecological Examining Table

Features

- ◆ Electro-hydraulic system.
- ◆ Positioning by foot-switch freely by microprocessing technology.
- ◆ More various positions for examining.
- ◆ Smoothly move up/down and easy operation.
- ◆ The base is covered with ABS synthetic resin (shock-resistant).
- ◆ Parts are interchangeable.
- ◆ Can be used as an operating table in case of emergency.
- ◆ Can adjust to any requested angle or height easily by memory function of photo sensor.
- ◆ Hip section with seat warming system which prevent initial surface chilliness during examination.
- ◆ Maintainable cleanness on the seat by Roll Sheet Paper.
- ◆ Table top is covered by high quality leather which is not affected by cleaning chemical.
- ◆ Screen Frame was made by stainless steel, can adjust the height or angle.
- ◆ Knee Krutches has adjustable height to suits the need of examination.
- ◆ Side rails 30 x 8 mm (W x D) made by stainless steel SUS304 on both side of table top for attachment of accessories.
- ◆ For rust proofing, cotton container and forcep jar is made of stainless steel SUS 304. Cotton Containter and Forcep jar dimension: ø90 x 90 mm ; ø54 x 90 mm
- ◆ Drain tray is made of Aluminium for easy cleaning, can pull in and out, compact size 370 x 270 x 60 mm (W x D x H).
- ◆ Base has 4 casters and 2 brakes to lock the position of the equipment.
Wired Foot Switch 320 x 170 x 120mm (W x D x H) help to control table to reach any angle or height.

Dimensions



Standard Accessory

Knee crutches



Seat warming system



Water resistance roll paper



Cotton container & Forcep jar



Drain tray



Roll Sheet Paper	1 EA
Knee Crutches	1 SET
Drain Tray	1 EA
Foot Switch / Cable	1 EA
Power Cord	1 EA
Cotton Container & Forcep Jar	1 SET
Screen Frame / Handle	1 SET
Fuse(4A,5A)	1 EA
Manual(Korean , English)	1 COPY

Optional Accessory

Arm rest



Leg rest



Hand Surgery Arm Rest	1SET	Leg rest	1 SET
Dimension: 440 x 220mm		Dimension: 495 x 515mm	
		Shoulder Supporters	1 SET
		Leg Rest	1 SET

Examination Position



Foot Switch system



- **AUTO Switch** Automatically controls table height and slope of the back section by just one-time switching and by dip switch settings.
- **BASE Switch** Just controls the table height ranging from minimum 460mm to maximum 1,015mm.
- **SEAT Switch** Just controls the slope of hip section from minimum 0° to maximum 30°.
- **BACK Switch** Just controls the slope of back section from minimum -10° to maximum 50°.



Obstetric Delivery Table
CHS-SMT204D



The CHS-SMT204D Delivery Table, which are extended and retracted by means of an integrated linear actuator, is as versatile as it is efficient.

The obstetrician may select any delivery approach at desired positions.

Features

- ◆ As positioning can be carried out by linear actuators of motor cylinder.
- ◆ Positioning by HAND- switch freely by microprocessing technology.
- ◆ More various positions for examining.
- ◆ Smoothly move up/down and easy operation.
- ◆ The base is covered with Aluminium.
- ◆ Parts are interchangeable.
- ◆ Can be used as an operating table in case of emergency.
- ◆ Can adjust to any requested angle or height easily by memory function.
- ◆ Variable position memory programmed remains in storage even when the Delivery table is switched off.
- ◆ Table top was covered by high quality leather which is not affected by cleaning chemical.
- ◆ Side Rail 30 x 8 mm (W x D) is made by stainless steel SUS304 for attachment.
- ◆ Can pull in and out auxiliary table 350 x 470 mm (W x D) to help positioning the patient.
- ◆ 2 Handle was made by Stainless Steel.
- ◆ Knee Crutches has strap to fix position of patient, their height are adjustable.
- ◆ Heel Crutches's length can be adjusted.
- ◆ Back section: 800 x 650 mm (L x W).
- ◆ Hip section: 430 x 650 mm (L x W).
- ◆ Drain tray 320 x 260 x 100 mm (W x H x D) was made by Aluminium alloy.
- ◆ Base has brake pedal to lock the position of the table (800 x 540 mm).

Standard Accessory



Arm rest

Knee crutches



Shoulder supporters



Handle



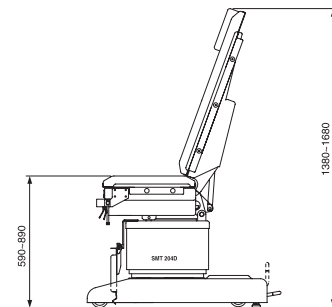
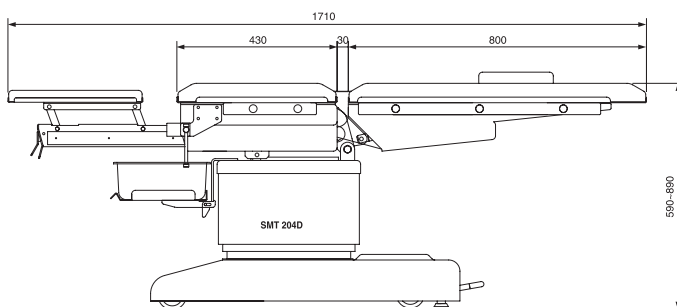
Hand switch

Arm Rest	1 SET
Knee Crutches	1 SET
Shoulder Supporters	1 SET
Screen Frame	1 EA
Handle	1 SET
Hand Switch	1 EA
Drain Tray & Waste Receptacle	1 SET

Examination Position



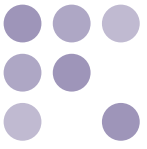
Dimensions



Hand Switch system

HAND Switch combines ergonomic design and functionally, It gives the user access to memory functions, allowing present positions to be stored for use in a wide variety of hospital.

- **BASE Switch** Just controls the table height ranging from minimum 590mm to maximum 890 mm.
- **BACK Switch** Just controls the slope of back section from minimum 0° to maximum 70°.
- **Reverse Trend Switch** Just controls the slope of table from minimum -24° to maximum 0°.



Obstetric Delivery Table

CHS-E80



*The CHS-E80 oil-Hydraulic Delivery Table is as versatile as it is efficient.
The obstetrician may select any delivery approach at desired positions.*

Obstetric Delivery Table

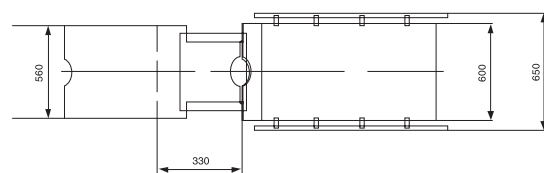
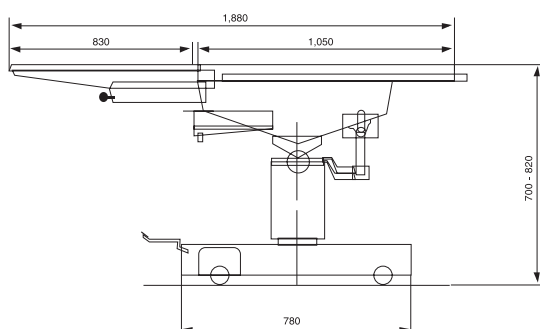
Features

- ◆ All the parts of the table are attachable/detachable for easy cleaning and disinfecting.
- ◆ In order to prevent corrosion caused by cleaning and sterilizing, the exposed parts are made of quality stainless steel; other parts are coated painted for protection.
- ◆ Can be used as on operating table on case of emergency.
- ◆ Manual Delivery table with simple gear mechanism.
- ◆ High adjustment is controlled simply by the hydraulic pedal.
- ◆ Smooth up and down and easy operation.
- ◆ Table top is rotating 360° horizontally. This will also give you complete satisfactions for your any desired positions.
- ◆ Table top was covered by high quality leather which is not affected by cleaning chemical.
- ◆ Side Rail 30 x 8 mm (W x D) is made by stainless steel SUS304 for attachment.
- ◆ Can pull in and out auxiliary table 550 x 670mm (W x D) to help positioning the patient.
- ◆ 2 Handle was made by Stainless Steel.
- ◆ Knee Crutches has strap to fix position of patient, their height are adjustable.
- ◆ Heel Crutches's length can be adjusted.
- ◆ Back section: 1050 x 600 mm (L x W).
- ◆ Drain tray 325 x 10 x 265 mm (W x H x D) was made by Aluminium alloy.
- ◆ Base has 3 casters and 2 brake pedal to lock the position of the table 500 x 780 mm (L x W).

Spec

- Table size 650mm(W) x 1880mm(L)
- Height adjustment min 700mm x max 820mm
- Trendelenburg - 25° ~ 5°
- Rotating angle 360°

Dimensions



Standard Accessory

Shoulder supporters



Arm rest



Drain tray & waste receptacle



Knee crutches & heel slippers

Shoulder Supporters	1 SET
Arm Rest	1 SET
Handle	1 SET
Screen Frame	1 EA
Knee Crutches & Heel Slippers	1 SET
Drain Tray & Waste Receptacle	1 SET

Optional Accessory

Screen frame



Overhead Delivery Bar

1 EA

Examination Position



Specifications

JW-G2000

Overall Size	(W)690mm x (L)1,410mm x (H)490~900mm
Table Top	(W)690mm x (L)1,410mm
Back Section	0° ~ 50°
Trendelenburg Section	-11° ~ 5°
Knee Section	-5° ~ 42°
Power source	AC220V, 50/60Hz
Consumption	450W
Fuse	5A
Maximum Patient Weight	135kg
Operating Temperature/ Humidity	10°C to 40°C / 30% to 95%

CHS-E1000

Overall Size	(W)650mm x (L)1,270mm x (H)480 ~ 1,015mm
Table Top	(W)650mm x (L)1,270mm
Back Section	-5° ~ 50°
Hip Section	0° ~ 30°
Seat Warming System	Electro-Hydraulic Mechanism
Power Source	AC 220V, 50/60 Hz
Consumption	480W
Fuse	5A
Maximum Patient Weight	About 135kg
Accessories Weight	About 35kg
Operating Temperature/ Humidity	10°C to 40°C / 30% to 95%

CHS-EX820

Overall Size	(W)655mm x (L)1,250mm x (H)460 ~ 1,015mm
Table Top	(W)655mm x (L)1,250mm
Back Section	-10° ~ 50°
Hip Section	0° ~ 30°
Seat Warming System	Electro-Hydraulic Mechanism
Power Source	AC 220V 50/60 Hz
Consumption	400W
Fuse	5A/4A
Maximum Patient Weight	130kg
Accessories Weight	20kg
Accessory clamp	STS Investment Casting
Operating Temperature/ Humidity	-10°C to 40°C / 30% to 95%

CHS-SMT204D

Overall Size	(W)650mm x (L)1,710mm x (H)590 ~ 890mm
Table Top	(W)650mm x (L)1,710mm
Back Section	0° ~ 70°
Trendelenburg	0° ~ -24°
Power Source	AC 220V 50/60 Hz
Consumption	300W
Maximum Patient Weight	About 140kg
Operating Temperature/ Humidity	10°C to 40°C / 30% to 95%

CHS-E80

Overall Size	(W)650mm x (L)1,880mm x (H)700 ~ 820mm
Back Section	-25° ~ 5°
Table Rotating	360°
Accessory clamp	STS Investment Casting
Weight	225 Kg + 13 Kg (Accessories)
Operating Temperature/ Humidity	10°C to 40°C / 5% to 95%

* Power source AC 110V or 220V 50/60Hz



HEAD OFFICE

JW Tower, 2477 Nambusunhwan-ro,
Seocho-gu, Seoul, Korea
Tel +82-2-2109-7800 Fax +82-2-852-0565
E-mail export@jw-holdings.co.kr
www.jw-bioscience.co.kr